

RECHARGEABLE BATTERY DIGITAL CALIPER OPERATING INSTRUCTIONS

● MAINTENANCE INSTRUCTIONS

1. Clean caliper bar with dry, cotton fabric before using in order to avoid bad display of caliper caused by moisture.
2. Keep the caliper clean and dry (Liquid can make its performance malfunction).
3. Surface of the electronic module should be cleaned with soft cotton fabrics. Never use organic solvent such as petrol and acetone.
4. In order to save power, switch off its power when it is not used.
5. Never apply any electric pressure on any part of the caliper and never use an electric pen for the fear of damaging its chip.
6. For other notes please refer to the conventional digital calipers.
7. In long-term use, it should be charged once every 3 months.

● BATTERY CHARGE

When the number is not displayed, it indicates that the battery is out of power and needs to be charged with a DC5V charger (no higher than 5V), and the charging indicator shows red, if it is fully charged and shows green.

● TROUBLE SHOOTING

Failure	Cause	Measure
The display number is jumping	Calipers are watery or damp	Clean the calipers and dry it .
Accuracy is lower than specified, but within $\pm 0.1\text{mm}$.	1. Dirt in the Sensor. 2. Adjustment screws get loosened.	1. Open the cover of the electronic module, clean the surface of the sensor with clean compressed air ($5\text{kg}/\text{cm}^2$). 2. Adjust the adjustment screws (11).
No display on the screen.	1. The battery is low voltage 2. The permanent fault	1. charge the battery 2. Send back for repair.

TECHNICAL SPECIFICATIONS

Measuring range: 0-150mm/0-6" , 0-200mm/0-8" , 0-300mm/0-12" .

Resolution: 0.01mm/0.0005" ; Accuracy: $\pm 0.02\text{mm}$ (150mm,200mm); $\pm 0.03\text{mm}$ (300mm)

Working temperature: $0^{\circ}\text{C} \sim 40^{\circ}\text{C}$ / $41 \sim 104^{\circ}\text{F}$. ; Display: LCD .

Max response speed: 3.0m/sec, 120" /sec ; Repeatability: $\pm 0.01\text{mm}/0.0005"$

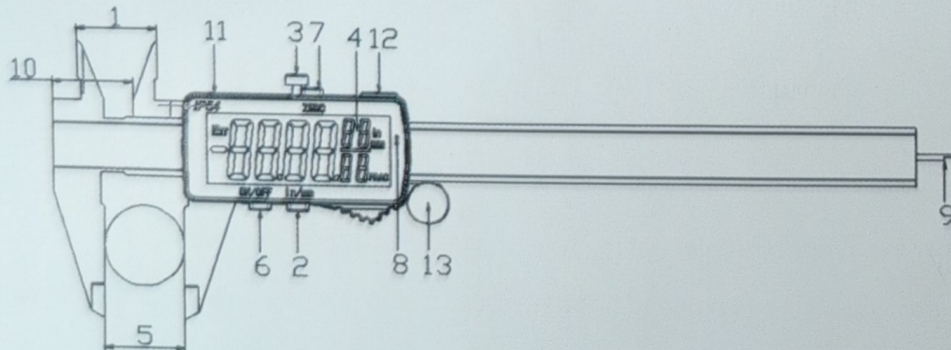
Length standard: electric capacity linear encoder.

Power: Rechargeable Li-battery .

Influence of humidity: Not important under 80% of relative humidity.

Waterproof: IP54 (Some specifications without this feature)

● STRUCTURE



1. Inside measuring surfaces
2. METRIC/INCH interchange
3. Lock screw
4. LCD
5. Outside measuring surfaces
6. Power on/off button
7. Zero setting button
8. Charge lamp
9. Depth measuring rod
10. Step-measuring surfaces
11. Adjustment screw
12. Data output / charging socket
13. roller screw

•HOW TO USE

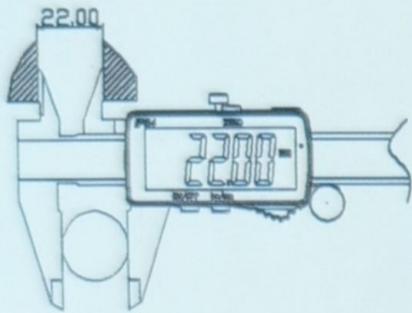
1.PREPARATIONS:

- (1)Slider can be moved only after the locking screw(Item No.3 of the structure) is loosened.
- (2)Wipe clean all the measuring surfaces and caliper bar. No organic solvent is allowed.
- (3)Check to see if all the buttons and LCD display respond well.

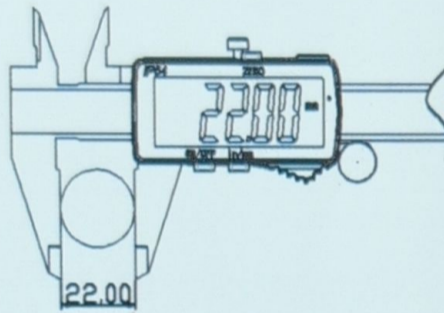
2.Basic measuring methods:

- (1)Loose the locking screw.
- (2)Press the "ON/OFF" but to switch on the power. Then press the Inch/Metric button to select the unit system needed.(Each time the button is pressed, inch and metric system will be displayed alternatively).
- (3)Apply normal measuring pressure on slider to close the external measuring jaws. Then press "zero" button to reset the display to zero.

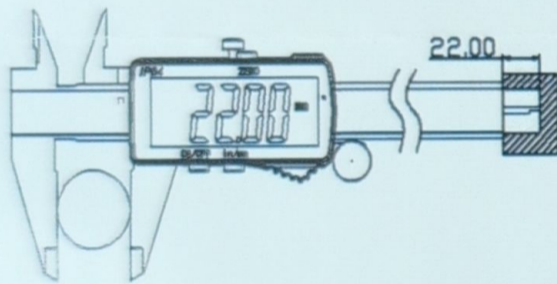
A . Measurements of internal dimensions



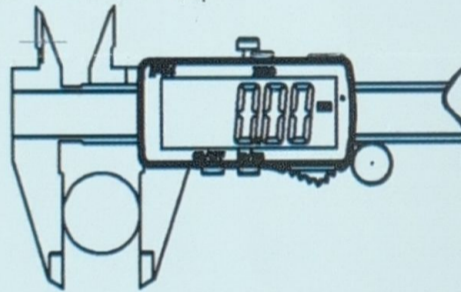
B. Measurements of external dimensions



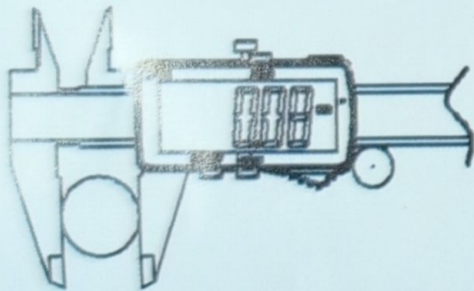
C. Measurements of depth



D. Measurement of steps



D. E. Method of differential measurement (Application of zero setting)



•NOTICE TO CUSTOMER



WEEE Directive & Product disposal

At the end of its serviceable life, this product should not be treated as household or general waste.

It should handed over to the applicable collection point for the recycling of electrical and electronic equipment, or returned to the supplier for disposal.

